

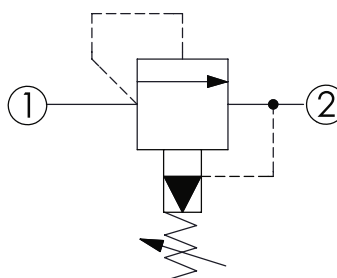
CRP-3A - Relief valve

Pilot operated balanced piston, fast acting

1 Available versions

Ordering example:

CRP-3A	-22	-A	-L
Type	Operation	Spring	Option



- 1 Inlet
- 2 Outlet

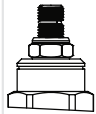
Operation

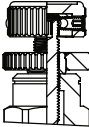
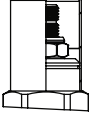
Coding	Description
22	Pilot operated port 1 to 2 (P to T)

Spring

Coding	Pressure (bar)	
	Adjustment range	Standard setting
A	7 - 210	70
B	3.5 - 105	70
C	10.5 - 420	70
D	1.7 - 55	28
E	1.7 - 28	14
N	4 - 55	28
Q	4 - 28	14
W	10.5 - 315	70

Option

Coding	Option	Drawing
L	Leakproof hex. socket screw	

Coding	Option	Drawing
K	Handknob with lock knob	
C	Stainless steel tamper resistant cover	

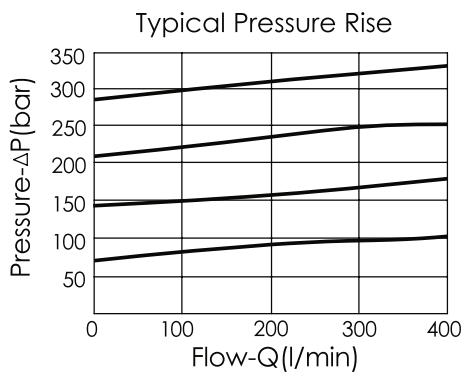
2 Technical data

Operating pressure p_{max}	350 bar
Flow rate Q_{max}	200 l/min
Installation torque	60 - 70 Nm
Cavity	T-3A
Weight	L: 0.25 kg

i INFORMATION

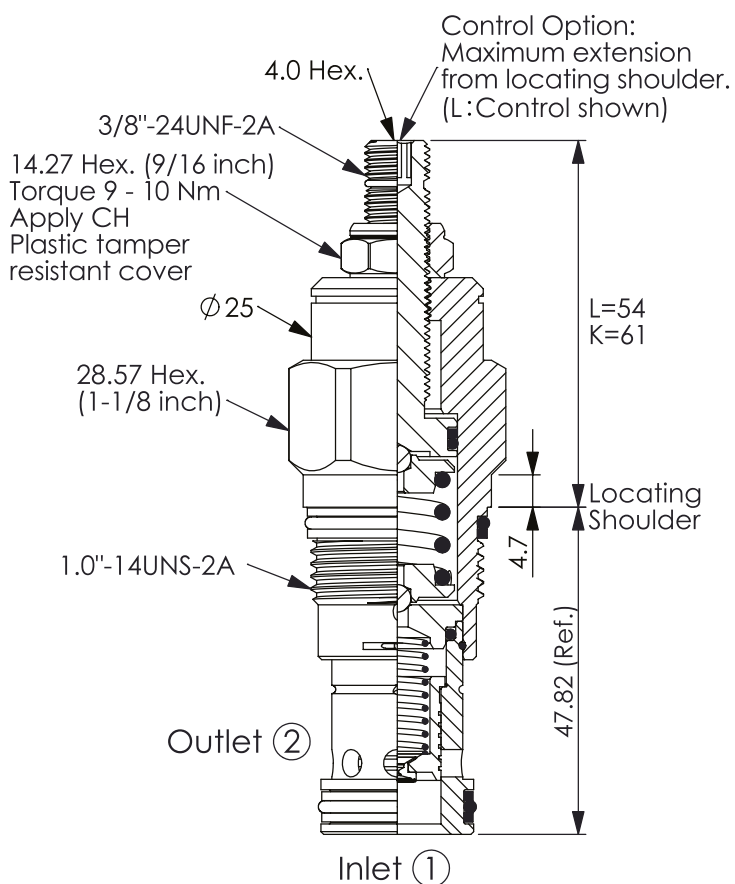
- Response time-typical (2 ms)
- Maximum leakage approximately (50 cm³/min/70 bar)
- Will accept maximum pressure at port 2, suitable for use in cross port relief circuits. If used in cross port relief circuits, consider spool leakage.

Characteristic lines



3 Dimensions

All dimensions in mm, subject to change.



4 Other information

see Technical information HAWE cartridge valves: D 8219

see Recommendation for hydraulic fluid: D 5488/1

